



The
FFLETM
Series

LED Flood Light





LED Flood Light



* selected models

PROJECT: _____

DATE: _____

TYPE: _____

PREPARED BY: _____



KEY FEATURES
Tempered glass lens on all models
Selected models wattage/color field-selectable
Multiple Mounting options
Photocontrol Included on selected models
NEMA twist-lock control compatible on selected models

TECHNICAL SPECIFICATIONS

Compliance

UL Listed

UL 1598 Suitable for wet locations

IESNA LM79 & LM-80 Testing

Paclights LED luminaires have been tested by an independent laboratory in accordance with IESNA LM-79 and LM-80.

DLC Qualification

Selected models of this product are on the Design Lights Consortium (DLC) Qualified Products List and are eligible for rebates from DLC Member Utilities. To view our DLC qualified products, please consult the DLC Qualified Products List at www.design-lights.org/qpl

Photometric Characteristics

LEDS

Long-life, high-efficacy, surface-mount LEDs

Lifespan

100,000-hour LED lifespan based on IES LM-80 results and TM-21 calculations.

Lumen Maintenance

L90 ≥ 36,000 hours

Color Rendering Index

>80

Color Uniformity

PacLights' range of Correlated Color Temperature follows the guidelines of the American National Standard for Specifications for the Chromaticity of Solid State Lighting (SSL) Products, ANSI C78.377

CCT (Correlated Color Temperature)

CCT can be adjusted by a dip-switch to 3000K/4000K/5000K on selected models

Light Distribution

15-100w - NEMA Beam Spread 7H x 7V (110°)

120-300w - NEMA Beam Spread 7H x 6V (110°x 88°)

Warranty

5-Year Limited Warranty**

The PacLights 5-year, limited warranty covers light output, driver performance and paint finish.

**PacLights's warranty is subject to all terms and conditions found at paclights.com/warranty

Construction

IP Rating

Ingress Protection rating of IP65 for dust and water

Ambient Temperature

Suitable for up to 50° C (122° F) ambient, minimum starting -40 F°/-40° C

Housing

Die-cast aluminum housing; stainless steel external hardware; silicone gasket.

Mounting Methods

Knuckle mount (standard and only on 15-100w models); Flood mount (standard on 120-300w models, optional on 15-100w models); Trunnion mount (optional on all models); 2-3/8" Slipfitter mount or Arm (pole) mount (optional on 80-300w models).

Green Technology

Mercury and UV free, and RoHS compliant.

Lens

Clear tempered glass.

Electrical

Driver(s)

Designed to last ≥50,000 hours when at allowable operating temperature

Input Voltage: 120-277v AC (UV models) or 277-480v AC (HV models), 50-60 Hz

0-10V dimming; Power Factor > 0.95; THD < 20%

Wattage Seletable / Max Amp load

Wattage can be adjusted by a dip-switch on selected models

MODEL	Wattage	120v	208v	240v	277v	480v (HV)
FFLE/2-030/020/015	30/20/15W	0.28A	0.16A	0.14A	0.12A	N/A
FFLE/2-060/050/040	60/50/40W	0.56A	0.32A	0.28A	0.24A	N/A
FFLE/2-100/090/080	100/90/80W	0.93A	0.53A	0.46A	0.40A	0.23A
FFLE/2-150/135/120	150/135/120W	1.39A	0.80A	0.69A	0.60A	0.35A
FFLE/2-240/220/200	240/220/200W	2.22A	1.28A	1.11A	0.96A	0.56A
FFLE/2-300/280/260	300/280/260W	2.78A	1.60A	1.39A	1.20A	0.69A

Photocontrol

Standard on 15-100w models, can be disabled. Optional on 120-300w models.

NEMA Twist-lock Control Receptacle (optional)

Optional on 120-300w models. NEMA 3-pin or 7-pin twist-lock receptacle. Compatible with ANSI C136.1 twist-lock photocell, or C136.41 0-10V 5 or 7-pin twist-lock dimming controls.

PERFORMANCE

Models	Lumen Package	Wattage	Delivered Lumens, 80 CRI		
			CCT Setting	Lumen Output	LPW
FFLE/2-015	2,000	15w	3000K	1,950	130
			4000K	2,250	150
			5000K	2,100	140
FFLE/2-020	3,000	20w	3000K	2,600	130
			4000K	3,000	150
			5000K	2,800	140
FFLE/2-030	4,000	30w	3000K	3,900	130
			4000K	4,500	150
			5000K	4,200	140
FFLE/2-040	6,000	40w	3000K	5,200	130
			4000K	6,000	150
			5000K	5,600	140
FFLE/2-050	7,000	50w	3000K	6,500	130
			4000K	7,500	150
			5000K	7,000	140
FFLE/2-060	8,000	60w	3000K	7,800	130
			4000K	9,000	150
			5000K	8,400	140
FFLE/2-080	12,000	80w	3000K	10,400	130
			4000K	12,000	150
			5000K	11,200	140
FFLE/2-090	13,000	90w	3000K	11,700	130
			4000K	13,500	150
			5000K	12,600	140
FFLE/2-100	14,000	100w	3000K	13,000	130
			4000K	15,000	150
			5000K	14,000	140

Models	Lumen Package	Wattage	Delivered Lumens, 80 CRI		
			CCT Setting	Lumen Output	LPW
FFLE/2-120	17,000	120w	3000K	15,600	130
			4000K	18,000	150
			5000K	16,800	140
FFLE/2-135	19,000	135w	3000K	17,550	130
			4000K	20,250	150
			5000K	18,900	140
FFLE/2-150	21,000	150w	3000K	19,500	130
			4000K	22,500	150
			5000K	21,000	140
FFLE/2-200	28,000	200w	3000K	26,000	130
			4000K	30,000	150
			5000K	28,000	140
FFLE/2-220	31,000	220w	3000K	28,600	130
			4000K	33,000	150
			5000K	30,800	140
FFLE/2-240	34,000	240w	3000K	31,200	130
			4000K	36,000	150
			5000K	33,600	140
FFLE/2-260	37,000	260w	3000K	33,800	130
			4000K	39,000	150
			5000K	36,400	140
FFLE/2-280	40,000	280w	3000K	36,400	130
			4000K	42,000	150
			5000K	39,200	140
FFLE/2-300	43,000	300w	3000K	39,000	130
			4000K	45,000	150
			5000K	42,000	140

ORDERING INFORMATION

FFLE™ generation 2

Family	Model	Input Voltage	CCT	Mount	Color	Option						
FFLE/2	015	15w	UV	30	KM ⁽²⁾	DB	3PR ⁽⁶⁾					
	020	20w						120-277v	3000K	Knuckle	Dark	NEMA 3-pin receptacle
	030	30w						150	150w	FM ⁽³⁾	WH ⁽⁵⁾	7PR ⁽⁶⁾
	030/020/015	30/20/15w selectable	150/135/120	150/135/120w selectable	4000K	Flood	White	NEMA 7-pin receptacle				
	040	40w	200	200w	50	TM	PS ⁽⁶⁾					
	050	50w	220	220w	30/40/50	SF ⁽⁴⁾	DL ⁽⁶⁾					
	060	60w	240	240w				3000K	2-3/8"	Twist-lock dimming daylight harvesting photocell		
	060/050/040	60/50/40w selectable	240/220/200	240/220/200w selectable				4000K	Slipfitter	DM ⁽⁶⁾		
	080	80w	260	260w	5000K	AM ⁽⁴⁾	GS					
	090	90w	280	280w				Selectable	Arm(pole)	Twist-lock dimming daylight harvesting and midnight auto-dim photocell		
	100	100w	300	300w				300/280/260	300/280/260w selectable	GL		
	100/090/080	100/90/80w selectable	300/280/260	300/280/260w selectable	300/280/260w selectable	Glare shield						

⁽¹⁾ available on 80-300w models.

⁽³⁾ standard on 120-300w models.

⁽⁵⁾ special order, minimum order quantity may apply.

⁽²⁾ standard and only on 15-100w models.

⁽⁴⁾ available on 80-300w models.

⁽⁶⁾ available on 120-300w models.

STANDARD FEATURES

Field Selectable Wattage/Color (selected models)



Select the desired output power by sliding the respective wattage and/or color selection Dip Switches up or down to the desired value, for different lumen or color outputs. Outputs can be changed before, during and after installation.

MODEL	Wattage Selectable	Color(CCT) Selectable
FFLE/2-030/020/015	30W/20W/15W	
FFLE/2-060/050/040	60W/50W/40W	
FFLE/2-100/090/080	100W/90W/80W	3000K/4000K/5000K
FFLE/2-150/135/120	150W/135W/120W	
FFLE/2-240/220/200	240W/220W/200W	
FFLE/2-300/280/260	300W/280W/260W	

Photocontrol Included (selected models)



15w to 100w models come standard with photocell sensor control. It can be enabled or disabled with a dip switch on the fixture.



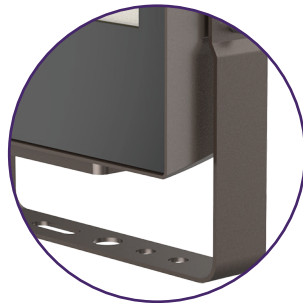
photocell sensor and switch the rear of the fixture behind the transparent plastic cap

MOUNTING Options



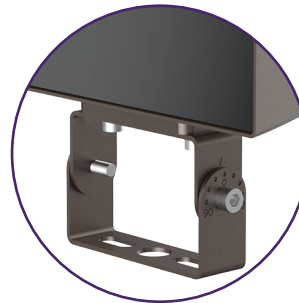
Knuckle Mount

Standard on FFLE/2-015 to 100 models
Not available on other models



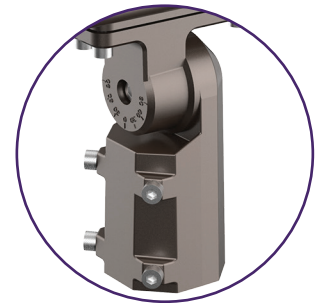
Flood Mount

Standard on FFLE/2-120 to 300 models
Optional on all other models



Trunion Mount

Optional on all models



Slipfitter Mount

Optional on FFLE/2-080 to 300 models

NEMA CONTROL RECEPTACLE Options

NEMA 3-pin Twist-lock Receptacle

(option: -3PR, available on 120-300w models)

NEMA 3-pin twist-lock receptacles provide the connector interface for locking type photocontrols. Locking Type Receptacle, 3-Pin, C136.10 Compliant.

NEMA 7-pin Twist-lock Receptacle

(option: -7PR, available on 120-300w models)

NEMA 7-pin twist-lock receptacles provides a receptacle for Locking Type photocontrols with dimming capabilities. The connector interface has a 3-prong power connection that is backward compatible with standard photocontrol units. Also, it offers four contact pads per ANSI C136.41 for dimming and additional control or sensor input.



NEMA Twist-lock receptacle with short cap
(option: -3PR / -7PR)

CONTROL Options

NEMA Twist-lock Photocontrols

(option: -PS/-DL/-DM, available on 120-300w models)

PacLights advanced electronic **SE-TLP Series** Photocontrol provides a unique, durable, and multi-volt control especially designed for 15 years of operation. It utilizes inter-locking base/cap design for excellent environmental housing. High temperature base material, along with a UV stabilised, opaque housing ensure our control will last years without degradation. PacLights uses a process of IR filtering a phototransistor which in turn gives a human eye response along with long-term, drift free light sensing for the life of the control.



- Multi-volt options (120-277v, 480v)
- Daylight On/Off function (option: **-PS**)
- Daylight harvesting function (option: **-DL**)
- Mid-Night dimming function (option: **-DM**)
- High-temperature components
- MOV surge protection
- Meets or exceeds ANSI C136.10

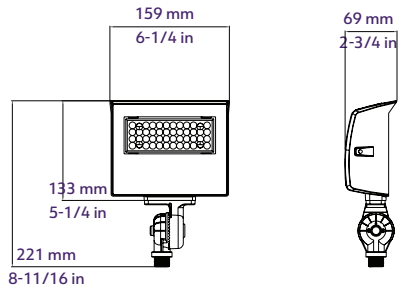
Option **-PS** requires NEMA 3-pin Twist-lock Receptacle installed (option: **-3PR**)
Option **-DL/-DM** requires NEMA 7-pin Twist-lock Receptacle installed (option: **-7PR**)

for detail refer to **SE-TLP Series** specification

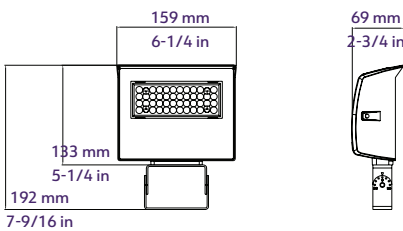
DIMENSIONS

FFLE/2 - 030/020/015

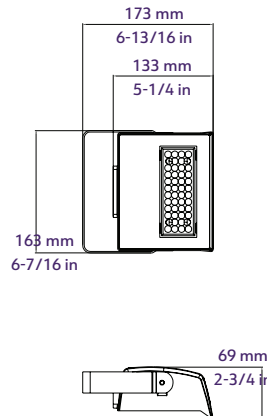
weight 1.8 lbs



with knuckle mount (standard)



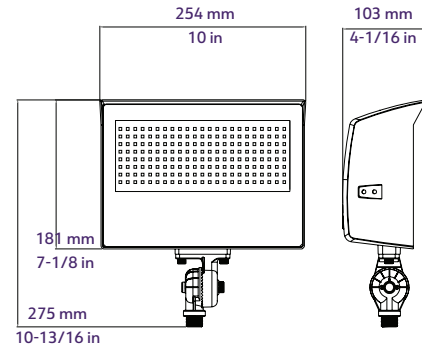
with trunnion mount



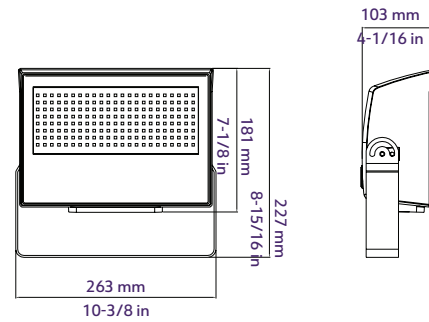
with flood mount

FFLE/2 - 100/090/080

weight 5 lbs



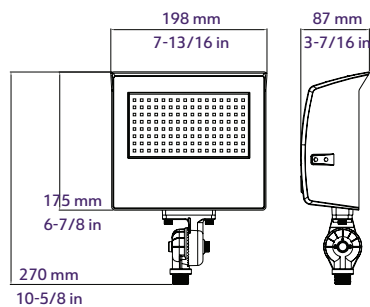
with knuckle mount (standard)



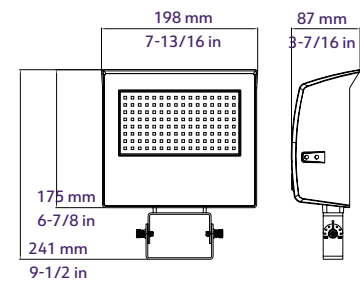
with flood mount

FFLE/2 - 060/050/040

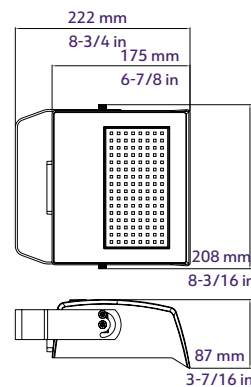
weight 2.3 lbs



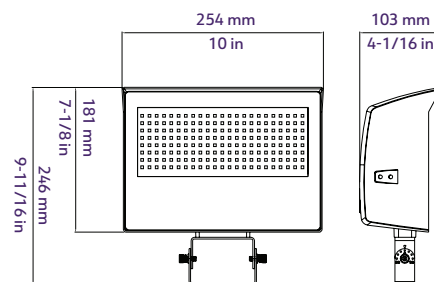
with knuckle mount (standard)



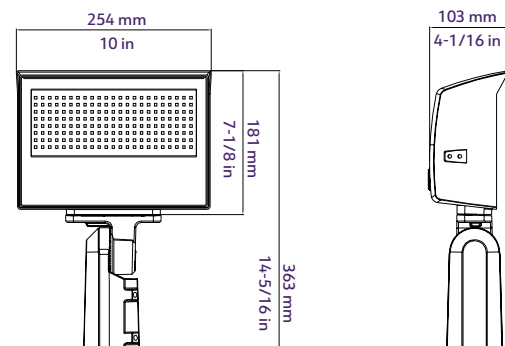
with trunnion mount



with flood mount



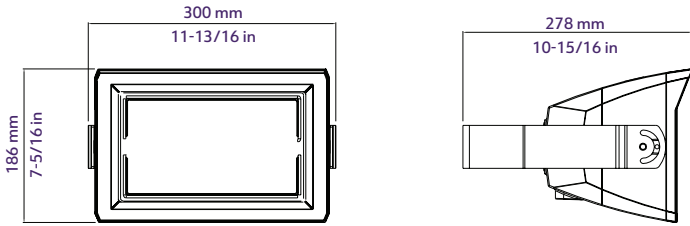
with trunnion mount



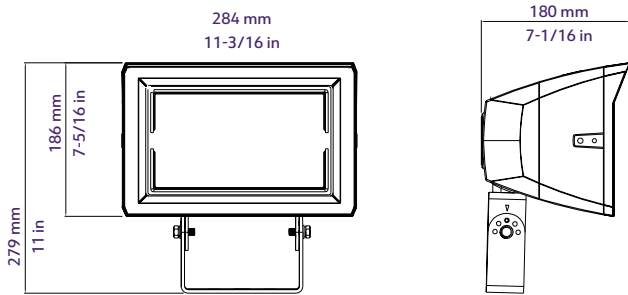
with slipfitter mount

FFLE/2 - 150/135/120

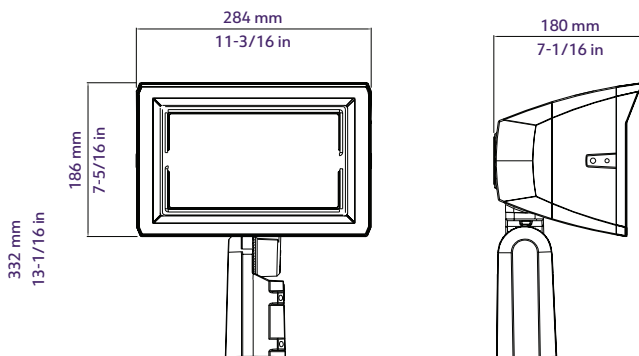
weight 8 lbs



with flood mount (standard)



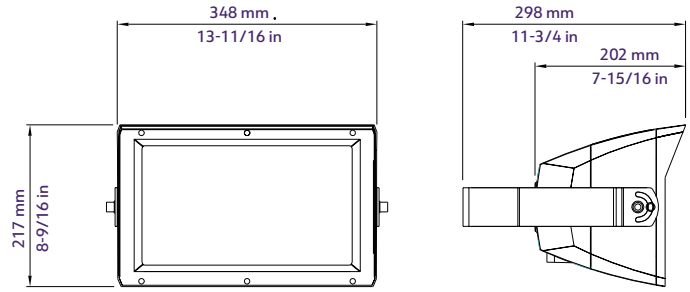
with trunnion mount



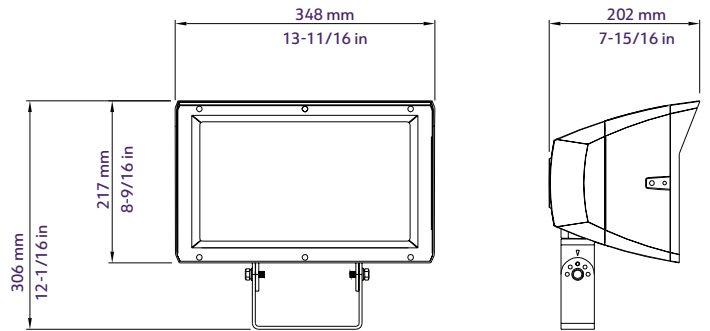
with slipfitter mount

FFLE/2 - 300/280/260/240/220/200

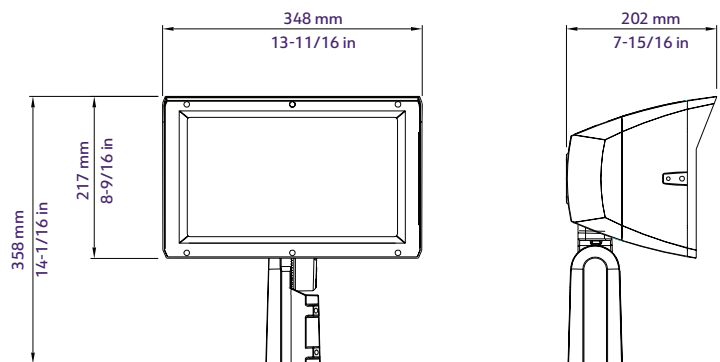
weight 14.5 lbs



with flood mount (standard)



with trunnion mount



with slipfitter mount

FINISHES	
standard	dark bronze