

IMPORTANT

SAFETY PRECAUTIONS

- Avoid testing this LED light with any electric generator.
- Ensure installation adheres to local, regional, and national laws and regulations.
- Always disconnect power before installation or maintenance.
- Proper grounding is essential for safety.
- After installation, position the light to face directly downward.

DIMMING FUNCTION

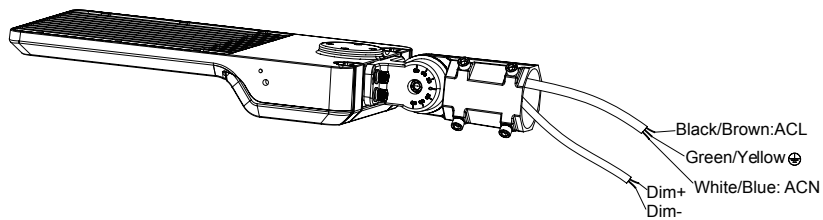
- This LED light is equipped with a dimming function.
- The light features three available dimming methods: 0-10VDC or 1-10VDC constant current dimming. PWM signal dimming. Resistance-based dimming. (Choose the appropriate dimming method based on your requirements. You may also opt not to utilize the dimming function.)
- Make your selection based on wire connection preferences, desired dimming methods, and the specific LED fixture purchased.

INSTALLATION NOTE

- Installation should only be performed by individuals with electrical expertise to prevent potential electrical shock or fire hazards.
- Wear gloves during the installation to prevent injuries.
- In case of any visible smoke or sparking from the wire, immediately disconnect the power and alert the appropriate personnel.

WIRING

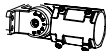
Verify input AC voltage before connect. Separate and cap the 0/1-10V dimming wires if opt not to utilize the dimming function.



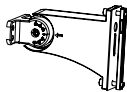
MOUNTING OPTIONS

This fixture comes with four bracket options. Below are the shoebox fixtures displayed with each distinct bracket.

Slipfitter Mount



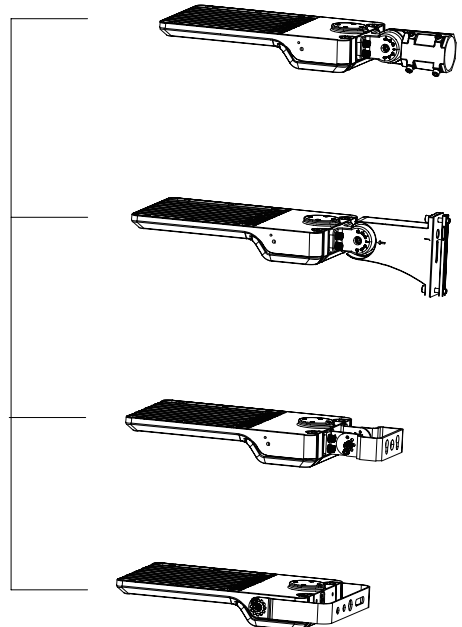
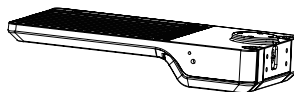
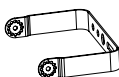
Arm Mount



Trunnion Mount

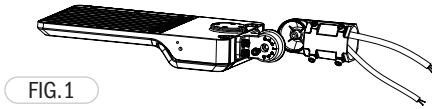


Flood Mount

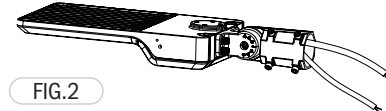


Slipfitter Mount

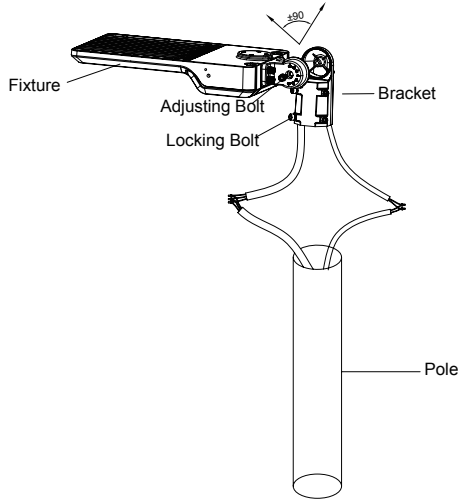
- 1 Unscrew the mounting screws from the fixture, then thread the wires through the bracket, as shown in (Figure 1).



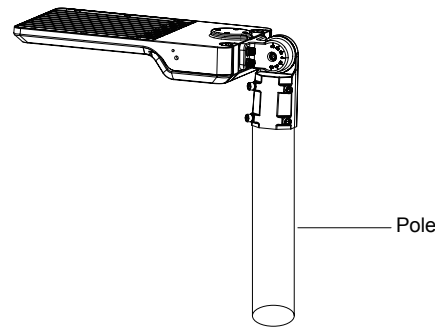
- 2 Affix the bracket to the fixture as shown in (Figure 2).



- 3 Ensure the wires are connected correctly and insert them into the pole. Secure the slip fitter to the pole using the locking bolts as depicted in (Figure 3).



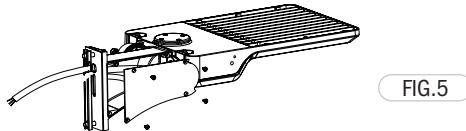
- 4 Release the fixing and adjusting bolts. Position the fixture to the desired angle. Once the angle is set, tighten both the adjusting and fixing bolts. Reference (Figure 4) for guidance.



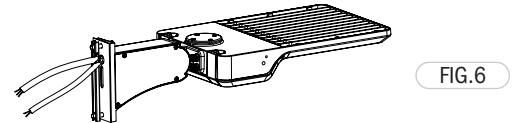
Note: The fixture allows for an angle adjustment range of 0 to +/-90°. See (Figure 3).

Arm Mount

- 1 Unscrew the mounting screws from the fixture, open the side lid of the bracket, and then guide the wires through it. See (Figure 5) for reference.

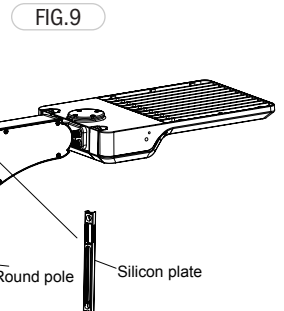
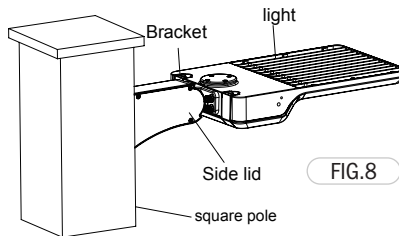
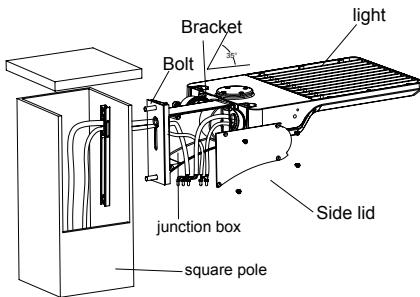


- 2 Attach the bracket to the fixture. Afterward, close the side lid and secure it tightly. Refer to (Figure 6) for a visual guide.



- 3 Secure the Arm mount bracket to the square pole using bolts. Open the side lid of the bracket and draw the wire into the junction box, ensuring the wires are correctly connected. Refer to (Figure 7)

- 4 Place the connected wires inside the junction box and then seal the box. See (Figure 8)



Note: The bracket offers an adjustable angle ranging from 0 to 35°, as demonstrated in (Figure 7)

For installation on round poles, the process is similar. However, ensure you remove the silicon plate when mounting the fixture on a round pole, as illustrated in (Figure 9).

Trunnion Mount

- 1 Unscrew the mounting screws from the fixture and thread the wires through the bracket. Refer to (Figure 10).
- 2 Secure the bracket onto the fixture as depicted in.
- 3 Mark and drill holes on the wall according to the layout in (Figure 11).
- 4 Insert the expansion bolts into the drilled holes, ensuring they are securely anchored. See (Figure 12) for details.

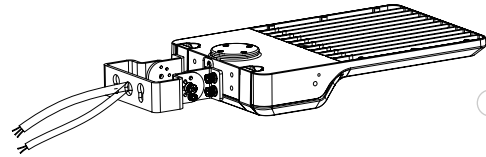


FIG.10

- 5 Attach the fixture to the bracket by tightening the screws. Once connected, ensure the wires are correctly joined and tuck them neatly into the junction box. Refer to (Figure 13)

Note: The fixture can be adjusted to angles ranging from 0 to 90°, as highlighted in (Figure 13).

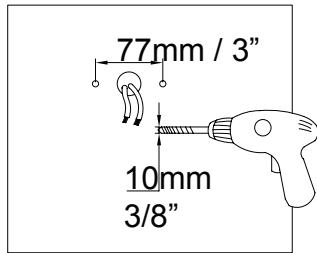


FIG.11

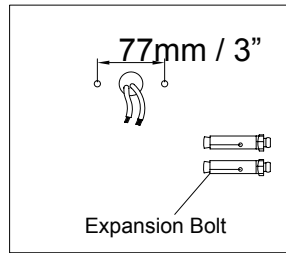


FIG.12

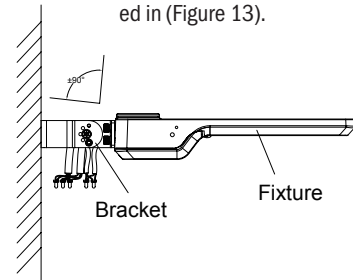


FIG.13

Flood Mount

- 1 Begin by installing the two larger screws as illustrated in (Figure 14).
- 2 Proceed to install the two smaller screws

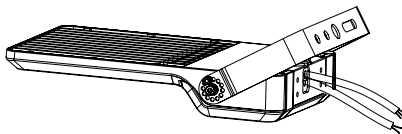


FIG.14

- 3 Secure the mount to the fixture and tighten it in place, then install the necessary screws. Attach the fixture to the bracket and ensure the screws are fastened securely. Properly connect the wires and safely tuck them into the junction box, as depicted in (Figure 15).

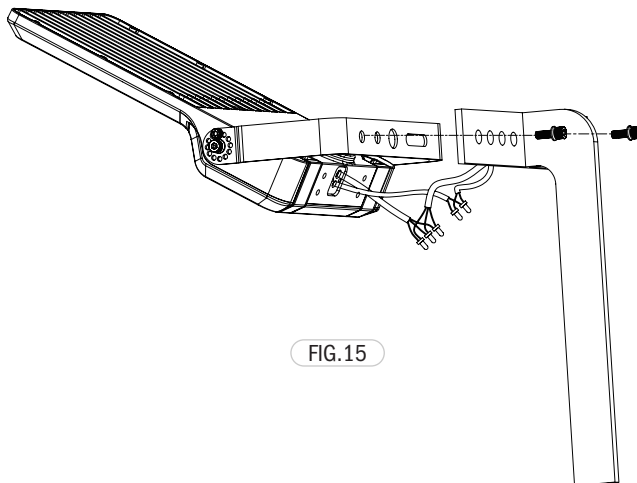
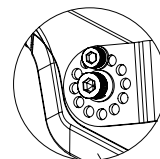
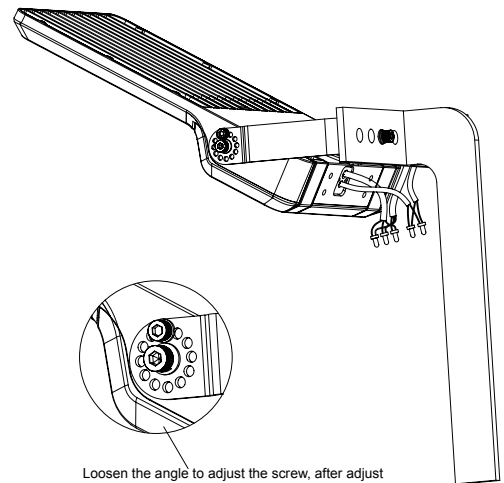


FIG.15



Loosen the angle to adjust the screw, after adjust to the angle that you need, then tighten the screws.

NEMA TWIST LOCK CONTROLS

If the optional NEMA twist-lock photocell/control or receptacle was ordered, install the photocell/control on the rear side of the light. If the photocell/control isn't needed, place a shorting cap (purchase separately) on the back of the light, as shown in (Figure 16).

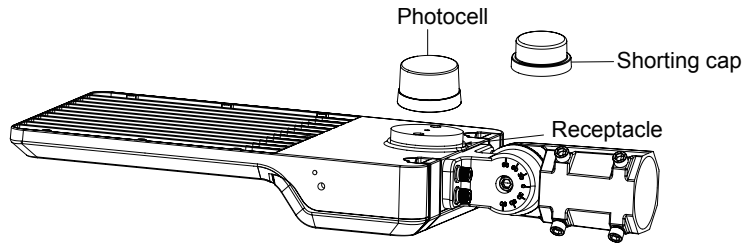


FIG.16

MOTION or OTHER CONTROLS

If the optional motion sensor control was ordered, remove the cap of the receptacle, and install the motion sensor as shown in (Figure 17).

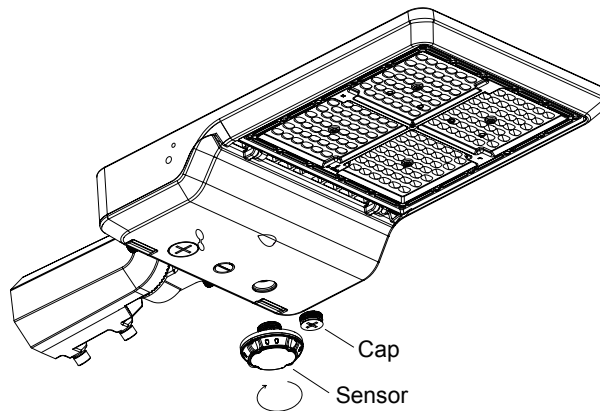


FIG.17

SELECT WATTAGE and/or COLOR

Selected models are wattage and color (CCT) selectable, remove the plug to adjust as shown in (Figure 18).

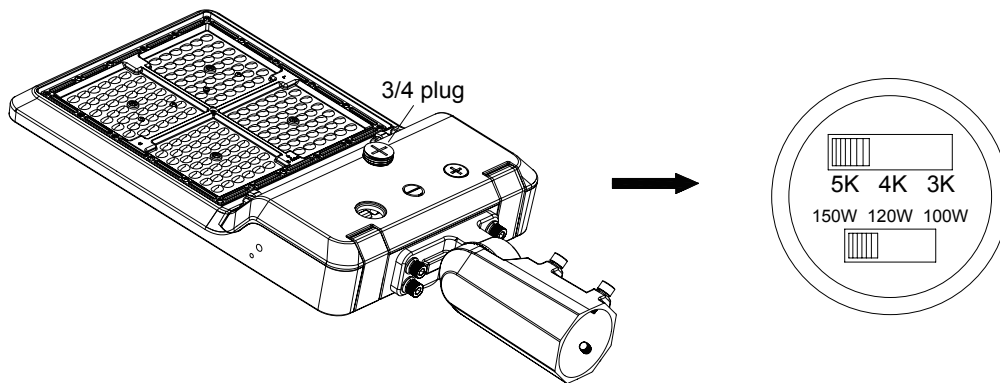


FIG.18