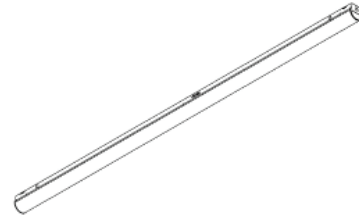




FSLA/2-4D



FSLA/2-8D

IMPORTANT

READ CAREFULLY BEFORE INSTALLING FIXTURE. RETAIN THESE INSTRUCTIONS FOR FUTURE REFERENCE.

PacLights fixtures must be wired in accordance with the National Electrical Code and all applicable local codes. Proper grounding is required for safety. THIS PRODUCT MUST BE INSTALLED IN ACCORDANCE WITH THE APPLICABLE INSTALLATION CODE BY A PERSON FAMILIAR WITH THE CONSTRUCTION AND OPERATION OF THE PRODUCT AND THE HAZARDS INVOLVED.

WARNINGS:

- Make certain power is OFF before installing or maintaining fixture. No user serviceable parts inside.
- To prevent wiring damage or abrasion, do not expose wiring to edges of sharp objects.

CAUTION:

- For proper weatherproof function all gaskets must be seated properly and all screws inserted and tightened firmly. Apply weatherproof silicone sealant around the edge of the Back Box and/or Junction Box. This is especially important with an uneven wall surface. Silicone all plugs and unused conduit entries.

FIELD ADJUSTABLE CCT (Correlated Color Temperature) & WATTAGE

The CCT Switch and the Wattage Switch are located at the side the FSLA/2 fixture (Fig. 1). The Adjustable CCT Switch allows the user to choose a desired color temperature 3500K, 4000K, 5000K for both FSLA/2 Models (Fig. 2). The Adjustable Wattage Switch allows the user to choose a desired output wattage 22/28/40W for FSLA/2-4D and 55/60/65W for FSLA/2-8D fixtures (Fig. 2).

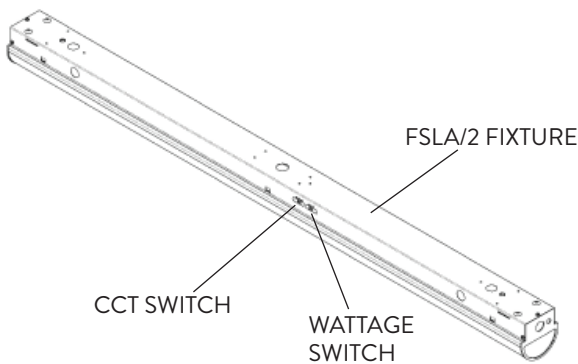


FIG. 1

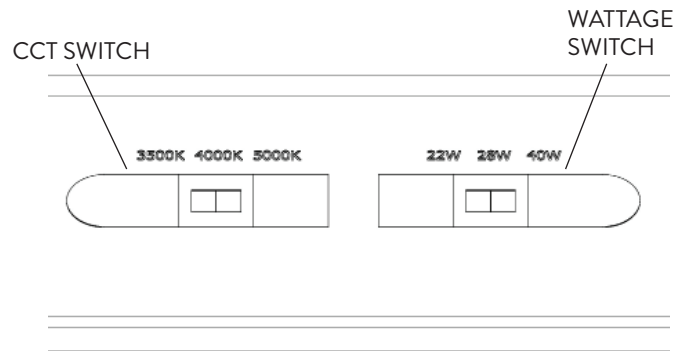


FIG. 2

WIRING DIAGRAM

Connect the ACL and the ACN from the FSLA/2 Fixture to the conduit with the AC power Supply Cable. Follow the Wiring Diagram provided.

AC POWER SUPPLY



FSLA/2 SURFACE MOUNT

- 1 The Standard Surface Mount Kit for the FSLA/2 fixture consists of the Mounting Plates. Install the Mounting Plates (2) to the FSLA/2 fixture by placing and aligning to each hole on the FSLA/2 Housing. Screw in Screws (4) at the center of the Housing (Fig. 3).

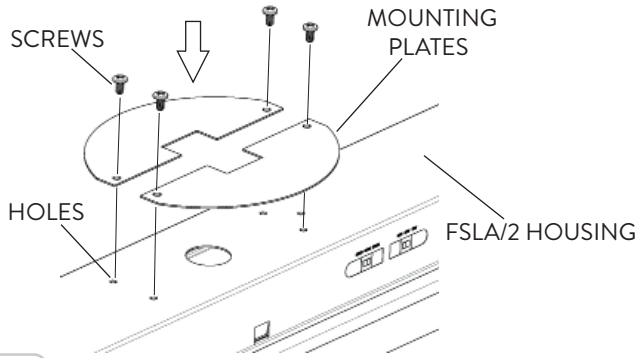


FIG. 3

- 2 Install the FSLA/2 fixture Mounting Brackets flush to the Ceiling by securing with plastic twist resistant Anchors, Washers, and Screws (Fig. 4).

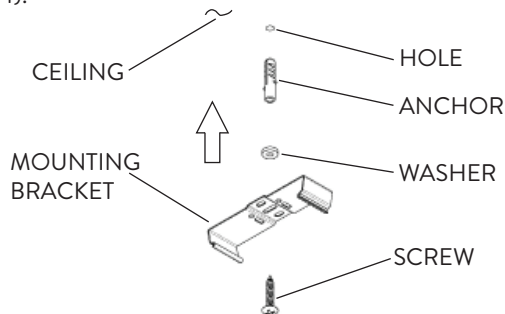


FIG. 4

- 3 Insert the FSLA/2 fixture Slots by pressing into the each of the Brackets (Fig. 5). The Mounting Plates will be the Junction Box Cover.

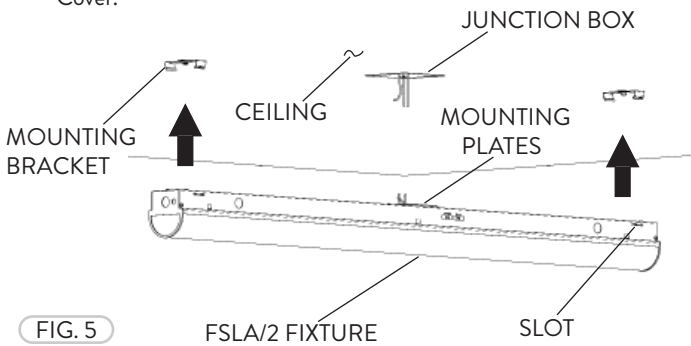


FIG. 5

OPTIONAL FSLA/2 V-HOOK MOUNT KIT

- 1 The V-Hook Mounting Kit for the FSLA/2 fixture consists of the Hook and Chain (Fig. 6).

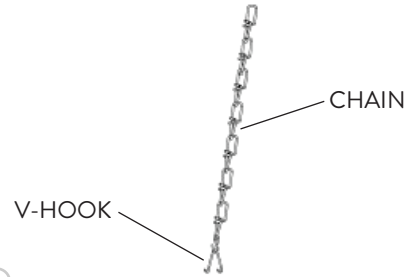


FIG. 6

- 2 Install the Mounting Brackets to the FSLA/2 fixture Slots by pressing down on each side (Fig. 7).

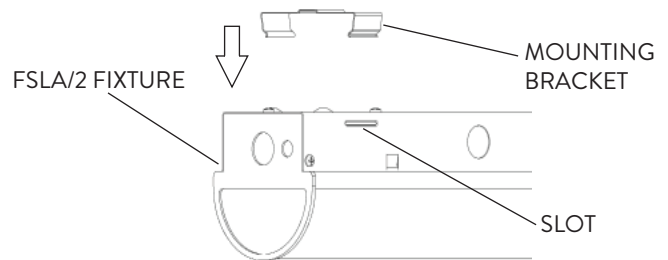


FIG. 7

- 3 Install the Hook and Chain Mounting Kit to the ceiling Joist/Beam. Lift the FSLA/2 fixture with the Mounting Brackets and hook into place (Fig. 8).

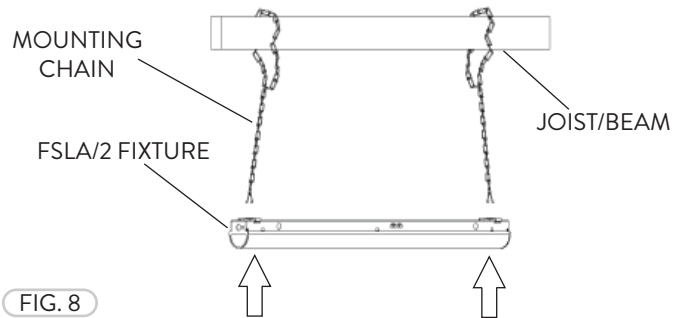


FIG. 8

- 4 Place the Hook on one side of FSLA/2 fixture first, then place the Hook into the other side (Fig. 9).

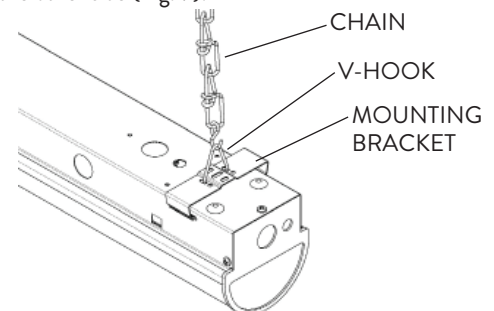


FIG. 9

OPTIONAL BI-LEVEL OCCUPANCY CONTROL

- The integrated Bi-Level Occupancy Control is a programmable microwave motion detector (Fig. 10). The Bi-Level Control is pre-installed. **NOTE:** Subject to availability, might substitute with other sensor models with similar functions.

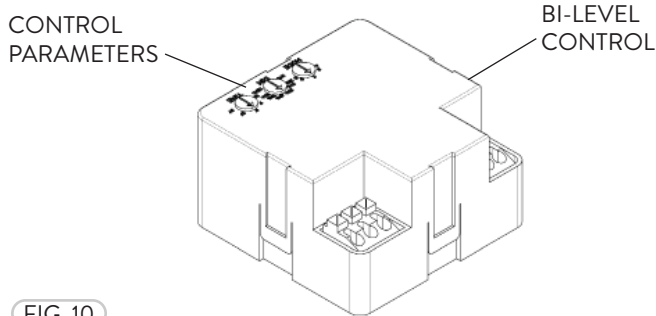


FIG. 10

- The Mounting Bracket is pre-installed and secured to the inside of the FSLA/2 fixture. The Bi-Level Occupancy Control fits directly on the Mounting Bracket (Fig. 11).

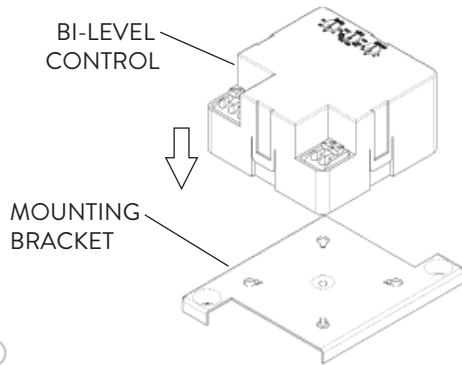


FIG. 11

- The Control Parameters are adjustable on the Sensor or by a wireless Commissioning Device. The Control Parameters allow the user to adjust the Mode (A thru E), Dimming (10% thru 100%), and Time (30 sec thru 30 min) Level (Fig. 12). The Control Modes are given in more detail in the next column.

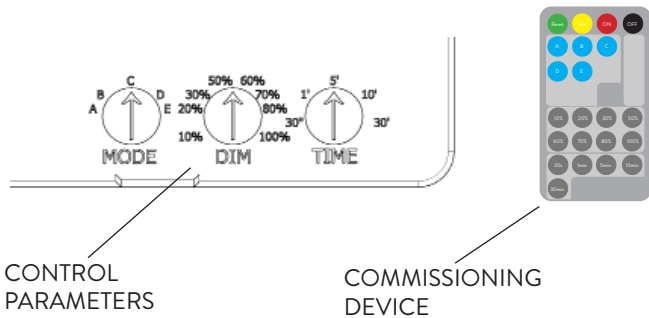


FIG. 12

BI-LEVEL OCCUPANCY CONTROL CONTROL MODES

MODE A

- Turn OFF the light while ambient light >100 LUX.
- Turn the light to DIM level while ambient light <100 LUX.
- DIM the light to full-ON while occupancy detected.
- Dim the light to DIM level after the delay time elapsed.

MODE B

- Turn the light to full-ON while ambient light <100 LUX **AND** occupancy detected.
- Dim the light to DIM level after delay time elapsed.
- Turn OFF the light if no occupancy detected within another 1/2 TIME.

MODE C

- Ambient light sensor is disabled.
- Turn the light to full-ON while occupancy detected.
- Dim the light to DIM level after delay time elapsed.
- Turn OFF the light if no occupancy detected within another 1/2 TIME.

MODE D

- Turn the light to DIM level while ambient light <100 LUX **AND** occupancy detected.
- Turn OFF the light after delay time elapsed.

MODE E

NOTE:

This mode allows visual adjustment to choose the desired Dimming Level.

- If Time rotary is set at maximum, the light turns ON at DIM level.
- If Time rotary is set at minimum, the light turns OFF.
- Note that after turning the Time rotary to change the ON/OFF setting, the unit will not respond to further changes for 3s.